

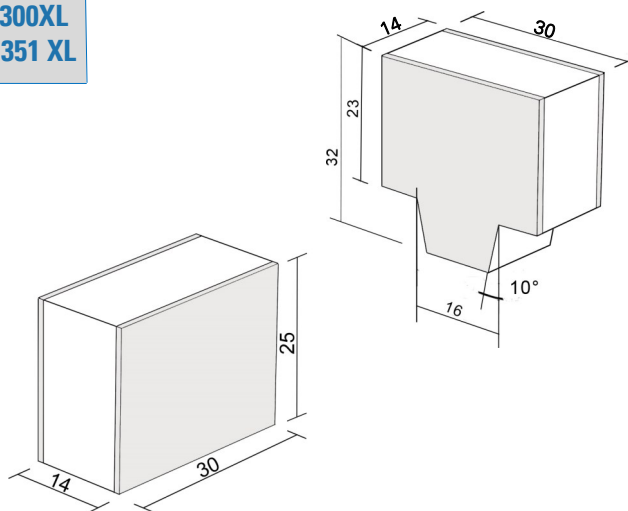
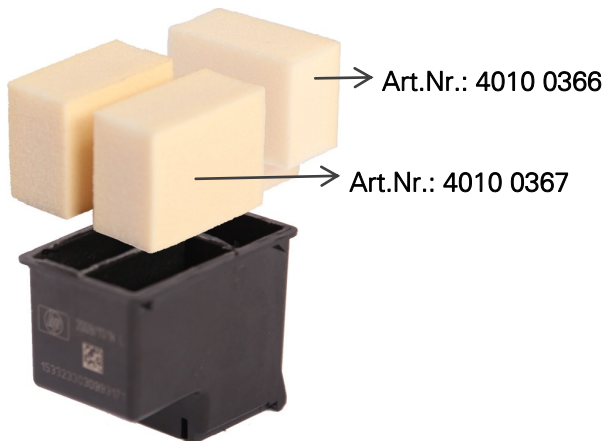
SCHWÄMME

SPONGES

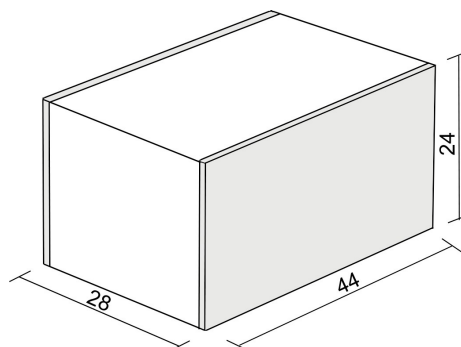
1 / 5

Hewlett Packard

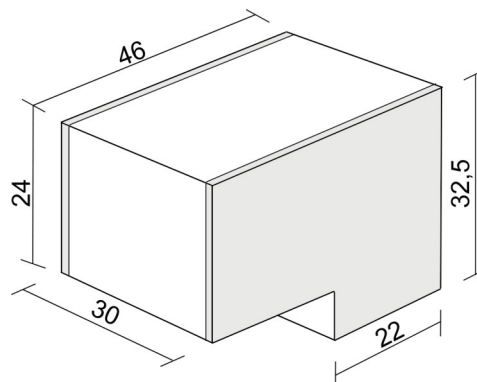
Compatibility: 110 (CB304) → 110XL 300 (CC643) → 300XL
 342 (C9361) → 343 351 (CB337) → 351 XL



Compatibility: 300XL (CC641) 338 (C8765)
 350 (CB335) 901XL (CC654)



Compatibility: 336 (C9362) → 338 (C8765)



All applications, processes and usage of the purchased goods, as well as their examination for suitability to intended procedures and purposes are exclusively on buyer's responsibility. All brands mentioned in this document are trademarks of their respective owners and are only mentioned to identify the product. The offered sponges are unsterile goods of industrial grade. To improve their wettability, we recommend rinsing the sponges with distilled water before use. Store dust-free and protect from sunlight.

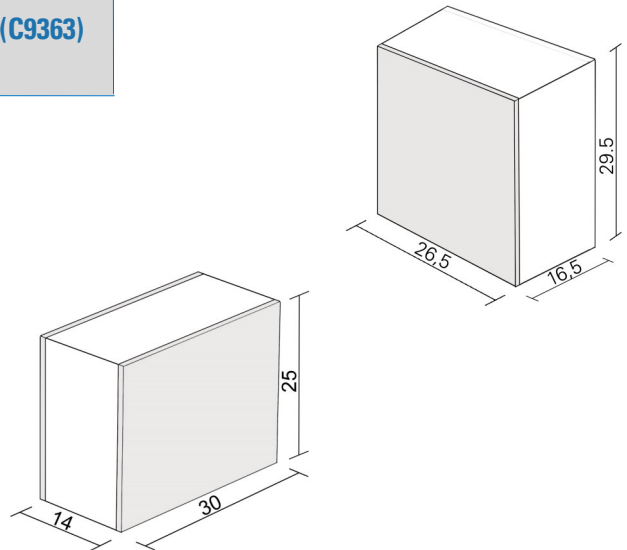
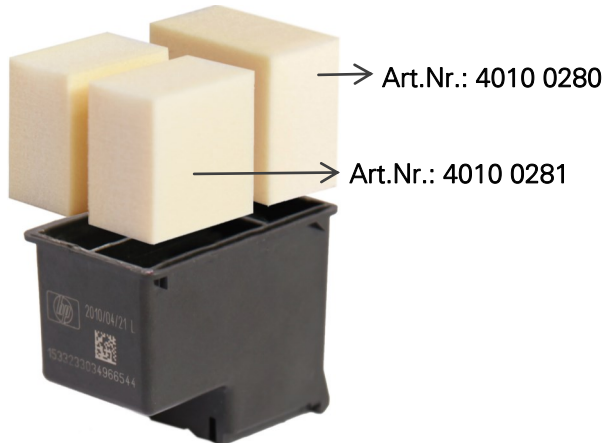
SCHWÄMME

SPONGES

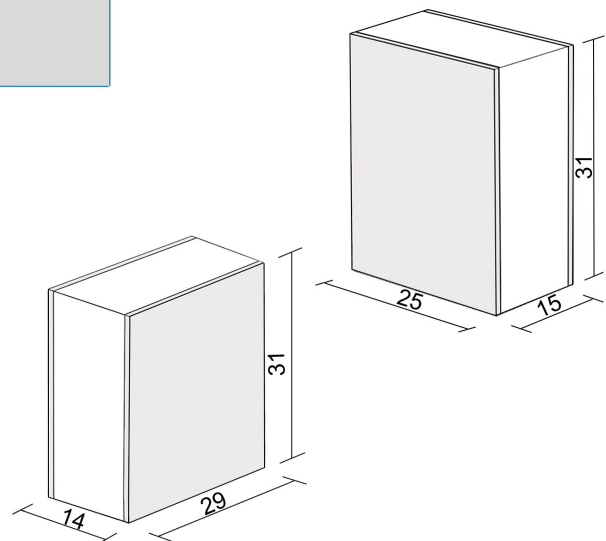
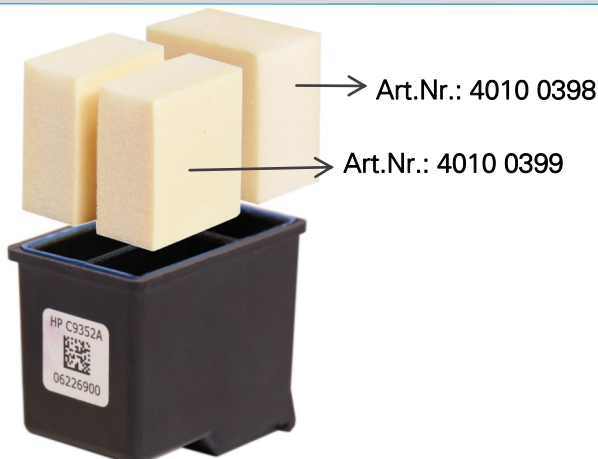
2 / 5

Hewlett Packard

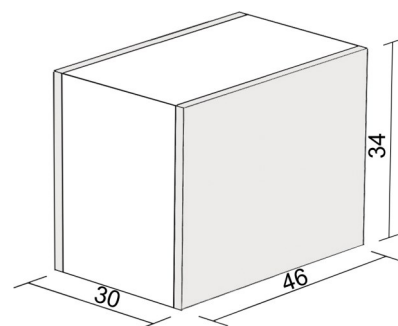
Compatibility: 100(C9368) 101(C9365) 343(C8766) 344(C9363)
348(C9369) 351XL(CB338) ...



Compatibility: 22 (C9352) 28 (C8728)
57 (C6657)



Compatibility: 21 (CC641) 21XL (C9351C) 27 (C8727)
54 (CB334) 56 (C6656)



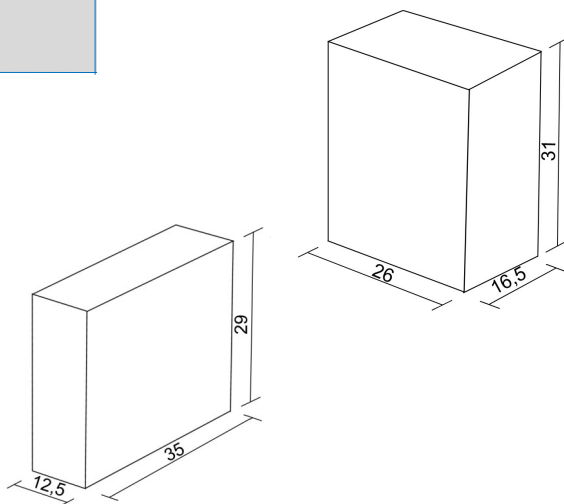
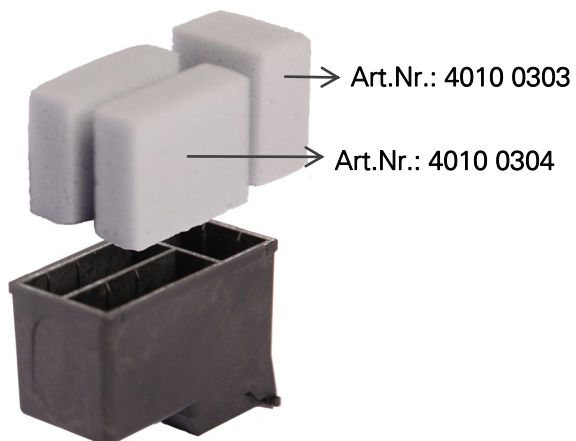
All applications, processes and usage of the purchased goods, as well as their examination for suitability to intended procedures and purposes are exclusively on buyer's responsibility. All brands mentioned in this document are trademarks of their respective owners and are only mentioned to identify the product. The offered sponges are unsterile goods of industrial grade. To improve their wettability, we recommend rinsing the sponges with distilled water before use. Store dust-free and protect from sunlight.

SCHWÄMME SPONGES

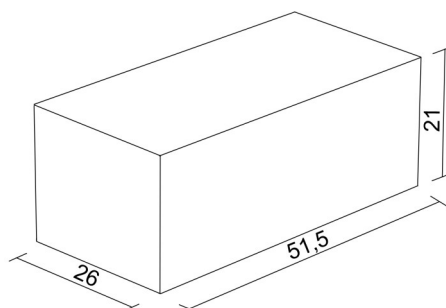
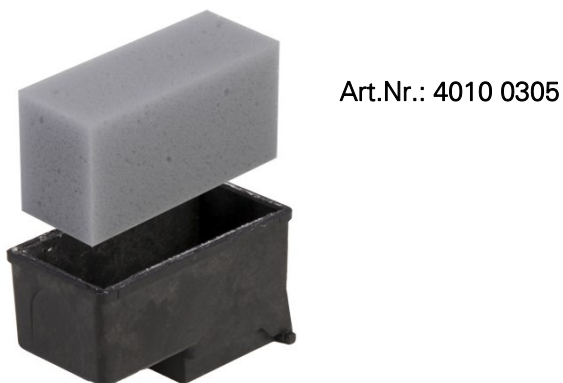
3 / 5

Canon

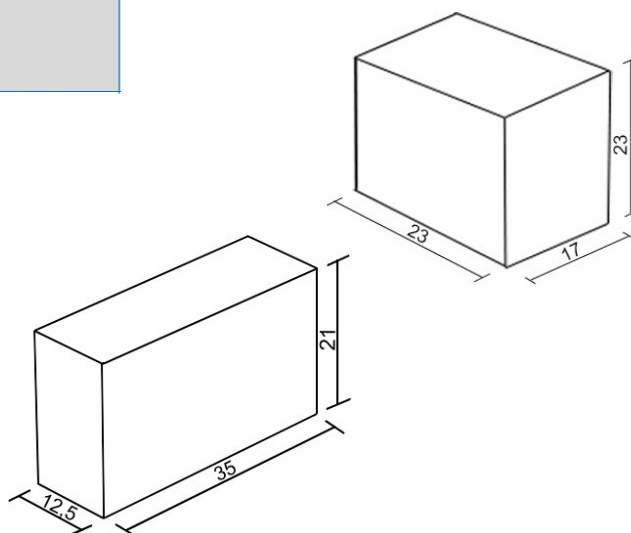
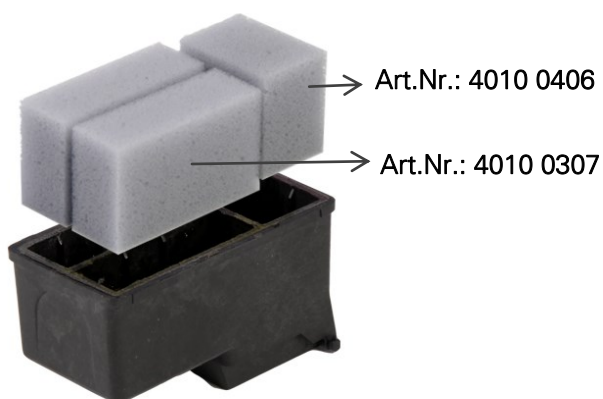
Compatibility: CL-41, CL-51, CL-52, CL-541, CL-541XL



Compatibility: PG-512, PG-545XL



Compatibility: CL-513, CL-546XL



All applications, processes and usage of the purchased goods, as well as their examination for suitability to intended procedures and purposes are exclusively on buyer's responsibility. All brands mentioned in this document are trademarks of their respective owners and are only mentioned to identify the product. The offered sponges are unsterile goods of industrial grade. To improve their wettability, we recommend rinsing the sponges with distilled water before use. Store dust-free and protect from sunlight.

SCHWÄMME

SPONGES

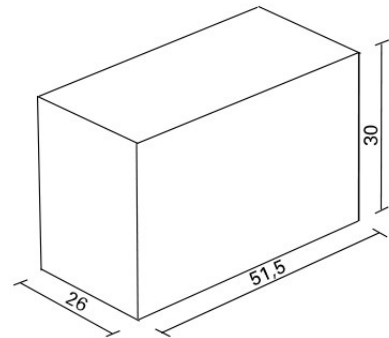
4 / 5

Canon

Compatibility: PG-40, PG-50, PG-540, PG-540XL



Art.Nr.: 4010 0386



SCHWÄMME

SPONGES

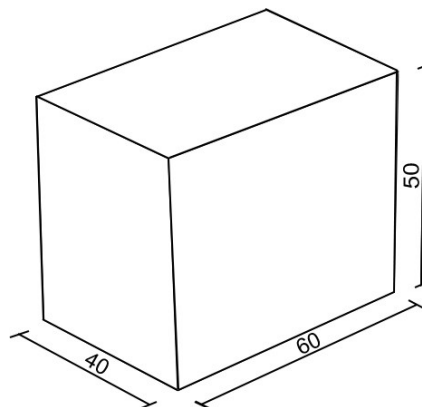
5 / 5

Lexmark

Compatibility: 13400HC 15M0640
50 (17G0050) 70 (12A1970) 75 (12A1975)



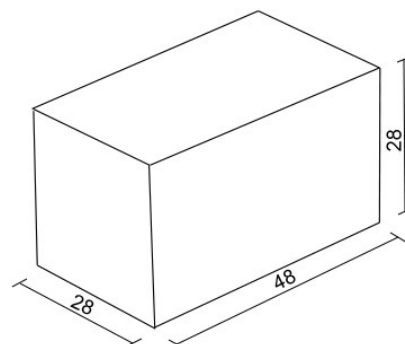
Art.Nr.: 4010 0038



Compatibility: 16 (10N0016) 17 (10N0217)



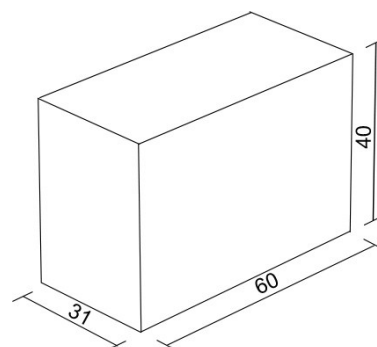
Art.Nr.: 4010 0039



Compatibility: 32 (18C0032) 82 (18L0032)
Dell 7Y743 I M4640



Art.Nr.: 4010 0047



All applications, processes and usage of the purchased goods, as well as their examination for suitability to intended procedures and purposes are exclusively on buyer's responsibility. All brands mentioned in this document are trademarks of their respective owners and are only mentioned to identify the product. The offered sponges are unsterile goods of industrial grade. To improve their wettability, we recommend rinsing the sponges with distilled water before use. Store dust-free and protect from sunlight.